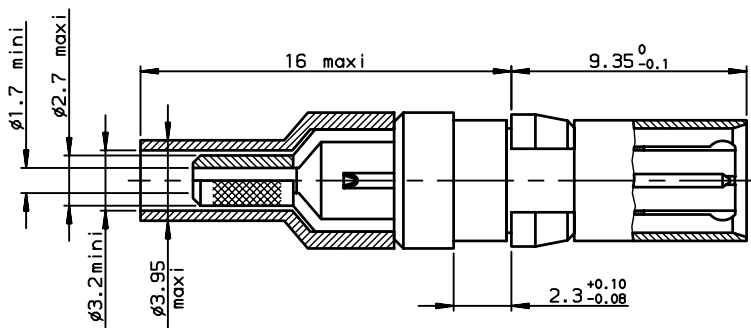


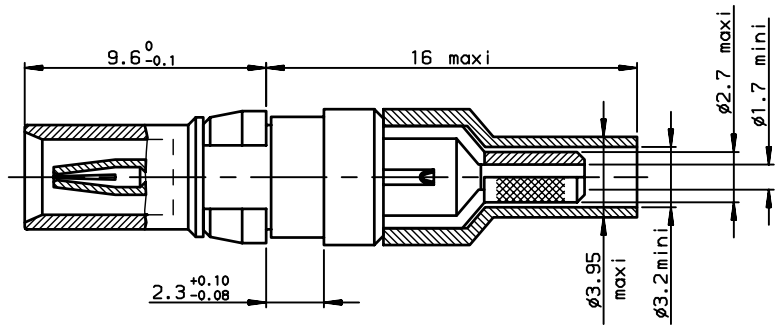
PART NUMBER
8609-M11-32-CXLF

PLATING	THICKNESS
C1	0.8μ AU (mating area)
C4	1.5μ AU (mating area)



PART NUMBER
8609-F11-32-CXLF

PLATING	THICKNESS
C1	0.8μ AU (mating area)
C4	1.5μ AU (mating area)



NOTES

- OUR CONTACTS ARE COMPATIBLE WITH 50Ω CABLES TYPE RG 174 A/U, RG 316 U AND RG 188 A/U
- OUR CONTACTS ARE COMPATIBLE WITH 75Ω CABLES TYPE RG 187 A/U AND RG 179 B/U
- SOLDER CENTER CONTACT AND CRIMP BRAID
- TOOLING :

crimping pliers ref. 8609-73
contact extractor ref. 8609-78

TECHNICAL CHARACTERISTICS:

- INSERTION / WITHDRAWAL FORCE : < 10 N
- CONTACT RESISTANCE :

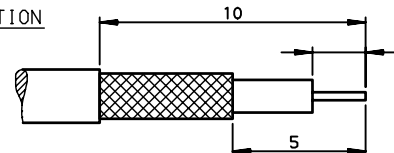
 - center contact < 10 mΩ
 - outer contact < 3 mΩ

- INSULATION RESISTANCE : 10⁶ MΩ
- IMPEDANCE : 50 Ω / 75 Ω
- PEAK VOLTAGE : 750 Veff
- OPERATING VOLTAGE : 250 Veff
- WORKING FREQUENCY-MAX : 30 GHz
- OPTIMUM : 0-10 GHz
- REFLECTION COEFFICIENT : Max. 0.05 up to 1 GHz ; Max. 0.1 up to 10 GHz

FREQUENCY	IMPEDANCE	
	50Ω	75Ω
..0.3 GHz	-	> 22
..0.5 GHz	-	> 17
..1 GHz	> 26	> 13
..1.5 GHz	-	> 9
..2 GHz	> 25	> 8
..4 GHz	> 17	-

OTHER CHARACTERISTICS: SEE INSERTS ACCORDING TO DIN 41626

CABLE PREPARATION



NOTE:RoHS INFORMATIONS

- The "LF" product meets European union Directives and other country regulations as described in 65-22-008.
- The product is not intended to be exposed to a manufacturing solder process.
- Packaging spec: see 65-14-920.

European Views

www.fciconnect.com		surface ISO 1302 ✓	tolerance std ISO 406 ISO 1101	projection 	mm
TOLERANCES UNLESS OTHERWISE SPECIFIED					
Dr	H.LEGALLIC	2006/03/11	ANGULAR	0.X ±0.1	size A3
Eng	H.LEGALLIC	2006/03/11	LINEAR	0.XX ±0.1	Scale 5
Chr	LEGARRE	2006/03/11	0.XX' ±2'	0.XXX ±0.1	ECN LS08-0160
Appr	LEGARRE	2006/03/11	Product family	DIN 8609	Spec ref -
		title MALE AND FEMALE COAXIAL CONTACTS		dwg no C-8609-1210	Rev. C
catalog no		-		CUSTOMER	sheet 1 of 1

rev	ecn no	dr	date
A	LS06-0022	LEG	2006/03/11
B	LS06-0095	LGO	2006/06/29
C	LS08-0160	LGO	2008/07/10
-	-	-	-
-	-	-	-
-	-	-	-